

Valk Welding Group
Postbus 60
2950 AB Alblisserdam

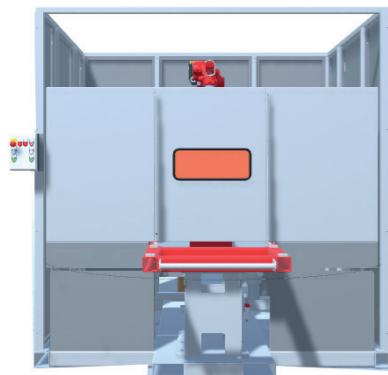
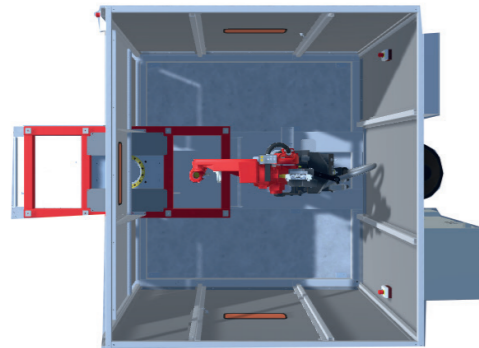
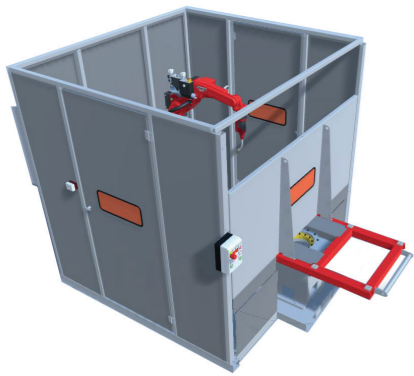
Tel +31 (0)78 69 170 11
info@valkwelding.com
www.valkwelding.com



2

FRAME-IT system





FRAME-IT system

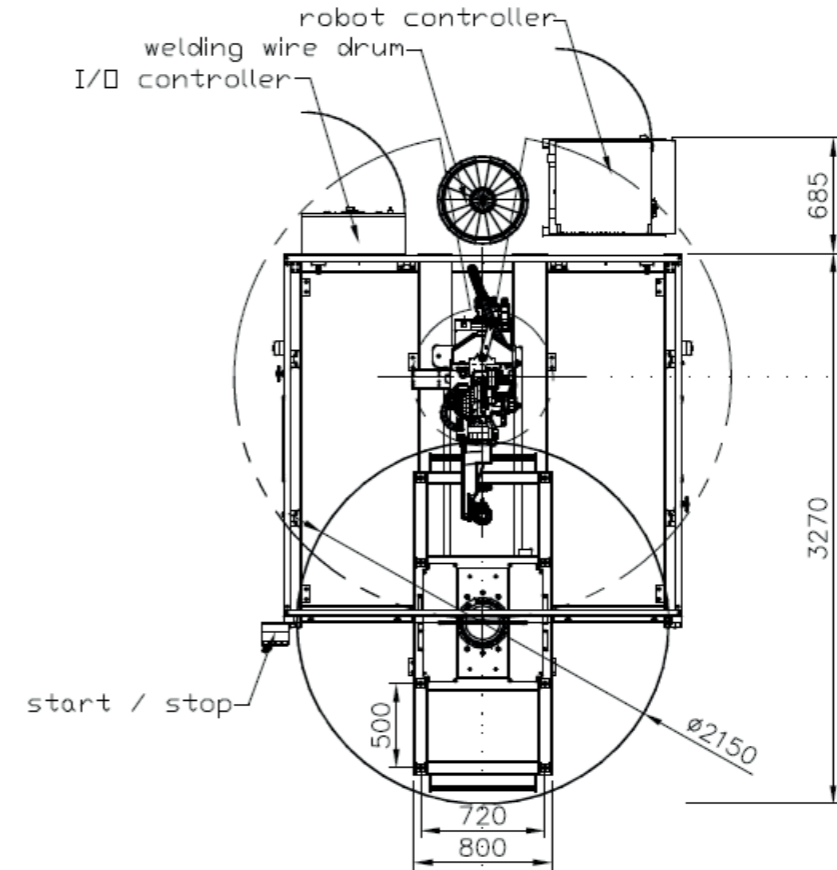
- Very compact welding cell
- 2 Working zones with manual index table
- Welding robot Panasonic TM1400WG3 with VWPR welding equipment
- Safety components, CE certified
- Plug & play solution

ROBOTIC WELDING WITHOUT COMPROMISES

The robot system is equipped with the latest Panasonic TM1400WG3 welding robot with built-in SP-MAG/Hyper Dip Pulse 350A power source. It is a complete solution where everything comes from the same supplier and you enjoy the unique advantages of the ultimate integration of the power source into the robot controller. All welding parameters are freely programmable and can also be automatically determined with the Weld Navi function. You only need to specify the type of weld in combination with the plate thicknesses you want to weld.

Because we only use dedicated welding robots, the following features are present: start/stop control, weaving during the welding in different patterns, frequencies and delays, arc-start-retry function, wire stick control,...

Easy to program with a very clear graphical interface.



DIMENSIONS OF THE CELL

BASIC TECHNICAL SPECIFICATION OF THE FRAME-IT:

Robot TM1400WG3
Robot reach 1437 mm
Repeatable position accuracy ± 0.08 mm
Welding power source TAWERS WG
Power 350 A – duty cycle 80% short circuit, 60% pulse
VWPR gas cooled torch with VWPR pneumatical shock sensor
Cell FRAME-IT
Dimensions 3270 x 2300 mm
Base frame + safety fence + service entrance
Manual turntable, station load 125 kg
Clamping frame for clamping fixture in workstation
Safety features, CE certification



The strong connection



Valk Welding NL
Staalindustrieweg 15
Postbus 60
2950 AB Alblasterdam
Tel. +31 (0)78 69 170 11

Valk Welding BE
Tel. +32 (0)3 685 14 77

Valk Welding FR
Tél. +33 (0)3 44 09 08 52

Valk Welding DK
Tel. +45 64 42 12 01

Valk Welding CZ
Tel. +420 556 73 0954

Valk Welding DE
Tel. +49 152 29 109 708

Valk Welding PL
Tel. +48 696 100 686

Valk Welding SE
Tel. +45 64 42 12 01

info@valkwelding.com
www.valkwelding.com